



RHINO-RACK

QMW10

| Item | Component Name | Qty | Part No. |
|------|-----------------------------|-----|----------|
| 1 | M6x20 Button Security Screw | 2 | B062 |
| 2 | M6x25 Button Security Screw | 2 | B137 |
| 3 | 5mm Wedge for RLT600 | 2 | M772 |
| 4 | Instructions | 1 | R670 |

***Note:**
RLT600 Parts as separate

Tools Required:

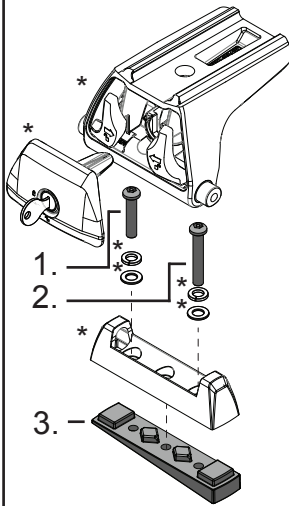
5mm Allen Key



Issue: 01

Document No: R670

CONTROLLED



Prepared: Kayle Everett



RHINO-RACK

QMW10

| Item | Component Name | Qty | Part No. |
|------|-----------------------------|-----|----------|
| 1 | M6x20 Button Security Screw | 2 | B062 |
| 2 | M6x25 Button Security Screw | 2 | B137 |
| 3 | 5mm Wedge for RLT600 | 2 | M772 |
| 4 | Instructions | 1 | R670 |

***Note:**
RLT600 Parts as separate

Tools Required:

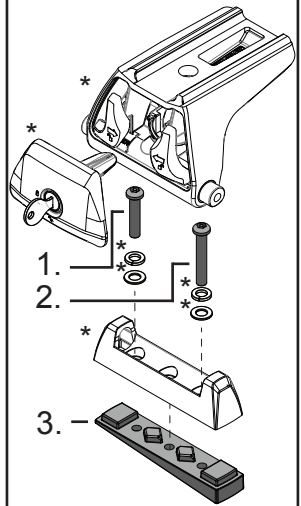
5mm Allen Key



Issue: 01

Document No: R670

CONTROLLED



Prepared: Kayle Everett



RHINO-RACK

QMW10

| Item | Component Name | Qty | Part No. |
|------|-----------------------------|-----|----------|
| 1 | M6x20 Button Security Screw | 2 | B062 |
| 2 | M6x25 Button Security Screw | 2 | B137 |
| 3 | 5mm Wedge for RLT600 | 2 | M772 |
| 4 | Instructions | 1 | R670 |

***Note:**
RLT600 Parts as separate

Tools Required:

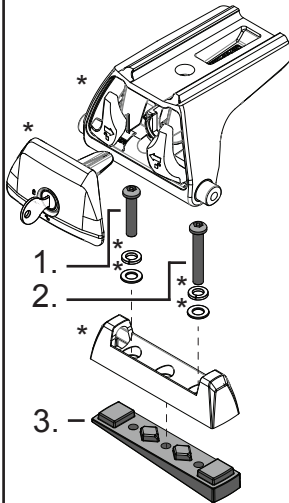
5mm Allen Key



Issue: 01

Document No: R670

CONTROLLED



Prepared: Kayle Everett



RHINO-RACK

QMW10

| Item | Component Name | Qty | Part No. |
|------|-----------------------------|-----|----------|
| 1 | M6x20 Button Security Screw | 2 | B062 |
| 2 | M6x25 Button Security Screw | 2 | B137 |
| 3 | 5mm Wedge for RLT600 | 2 | M772 |
| 4 | Instructions | 1 | R670 |

***Note:**
RLT600 Parts as separate

Tools Required:

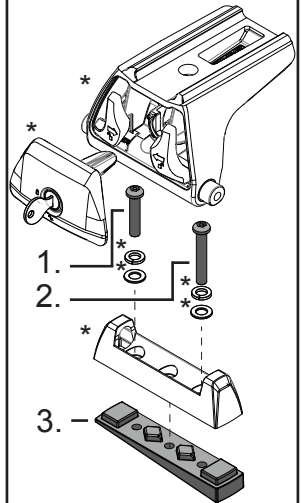
5mm Allen Key



Issue: 01

Document No: R670

CONTROLLED



Prepared: Kayle Everett



RHINO-RACK

QMW10

| Item | Component Name | Qty | Part No. |
|------|-----------------------------|-----|----------|
| 1 | M6x20 Button Security Screw | 2 | B062 |
| 2 | M6x25 Button Security Screw | 2 | B137 |
| 3 | 5mm Wedge for RLT600 | 2 | M772 |
| 4 | Instructions | 1 | R670 |

***Note:**
RLT600 Parts as separate

Tools Required:

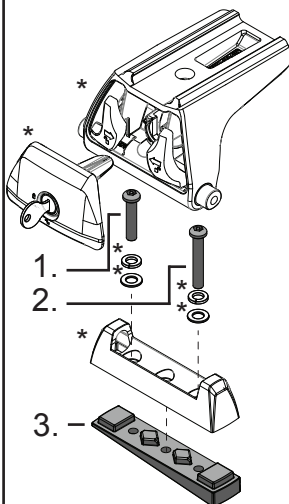
5mm Allen Key



Issue: 01

Document No: R670

CONTROLLED



Prepared: Kayle Everett



RHINO-RACK

QMW10

| Item | Component Name | Qty | Part No. |
|------|-----------------------------|-----|----------|
| 1 | M6x20 Button Security Screw | 2 | B062 |
| 2 | M6x25 Button Security Screw | 2 | B137 |
| 3 | 5mm Wedge for RLT600 | 2 | M772 |
| 4 | Instructions | 1 | R670 |

***Note:**
RLT600 Parts as separate

Tools Required:

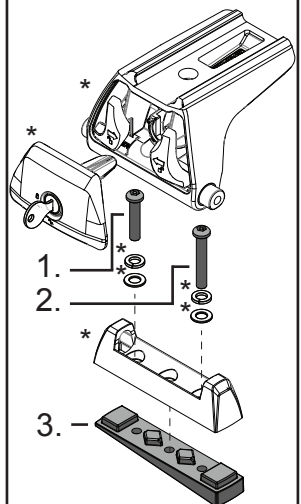
5mm Allen Key



Issue: 01

Document No: R670

CONTROLLED



Prepared: Kayle Everett